

JUNIOR FIREMAN

HELP THE FIREMAN FIND HIS WOODPILE

Golden Spike National Historic Site

For Kids 5 and Under



WHAT IS A FIREMAN?

You have probably heard of the firemen that put out fires. Those are not the kind of firemen that work on the railroads. Railroad firemen actually *stoke* the fires! That means they build it and keep it hot by adding wood or coal to the firebox! They do lots of other jobs, too, to help the engineer keep the locomotive running safely. They oil and clean, fill up the tender (the car behind the engine) with wood or coal, and add water to the tender.

The fireman and engineer operate a steam locomotive as a team. The fireman controls the steam. A skilled fireman anticipates the changes as he feeds coal or wood to the firebox and water to the boiler so the engineer can speed up, climb hills, slow down, and stop at stations.



Junior Fireman Pledge: *I am proud to be a National Park Service Junior Fireman at Golden Spike National Historic Site. As a Junior Fireman, I promise to learn all I can about train safety. I also promise to learn about the plants, animals and history of our country.*

Junior Fireman Word Find

Z	C	O	A	L	J	J	C	N	Q
W	O	O	D	O	H	U	W	O	S
T	Q	F	V	C	T	P	E	R	F
E	E	S	Y	O	R	I	N	V	I
N	S	T	G	M	A	T	G	Z	R
D	M	R	L	O	I	E	I	H	E
E	O	A	K	T	N	R	N	B	M
R	K	C	M	I	C	S	E	D	A
Z	E	K	E	V	C	M	E	B	N
Q	S	N	Z	E	E	N	R	M	T

Coal

Engineer

Fireman

Jupiter

Locomotive

Smoke

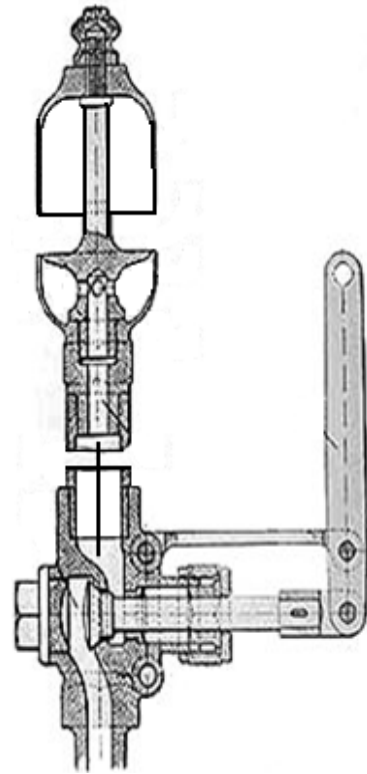
Tender

Track

Train

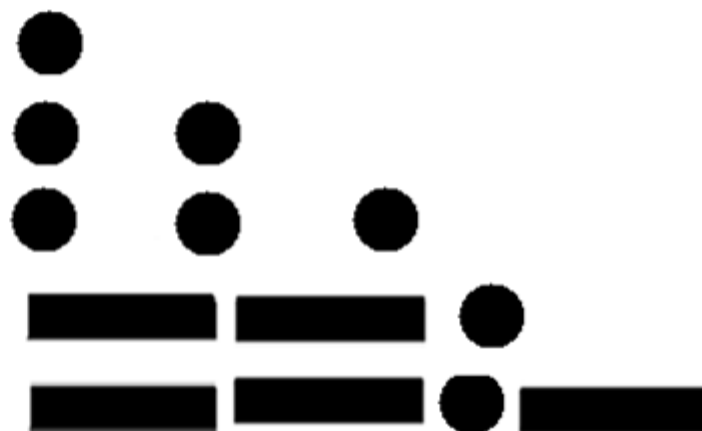
Wood

STEAM WHISTLES



Whistle Signals

- One Short: Stop
- Two Short: About to go forward
- Three Short: About to go in reverse
- Two Long One Short: Approaching a station
- Two Long, One Short, and One (Really) Long: Approaching a road crossing



Railroad Terms

Did you know many of the things we say came from the railroad? Here are a few:

BLOW SMOKE - *Brag*

BLOW UP - *To lose one's temper*

POP OFF - *To speak out*

RAILROADED - *To rush or push something or someone through quickly*

SIDETRACKED, ONE TRACK MIND, RIGHT TRACK, WRONG TRACK, OFF TRACK, LOST TRACK

How about some railroad jokes?

Why is the railroad angry? - *Because people are always crossing it!*

Why can't a steam locomotive sit down? - *Because it has a tender behind.*

Why don't elephants like to ride on railways? - *They hate leaving their trunks in the baggage car.*

What is the difference between a school teacher and a steam locomotive? - *The school teacher tells you to spit out your gum, while the locomotive says "Choo Choo Choo!"*

What did the Mama Steam Engine say to her Baby Steam Engine at supper time? - *"Choo-choo!"*

MAN: *"Well, I can see that there must be a train around here somewhere."*

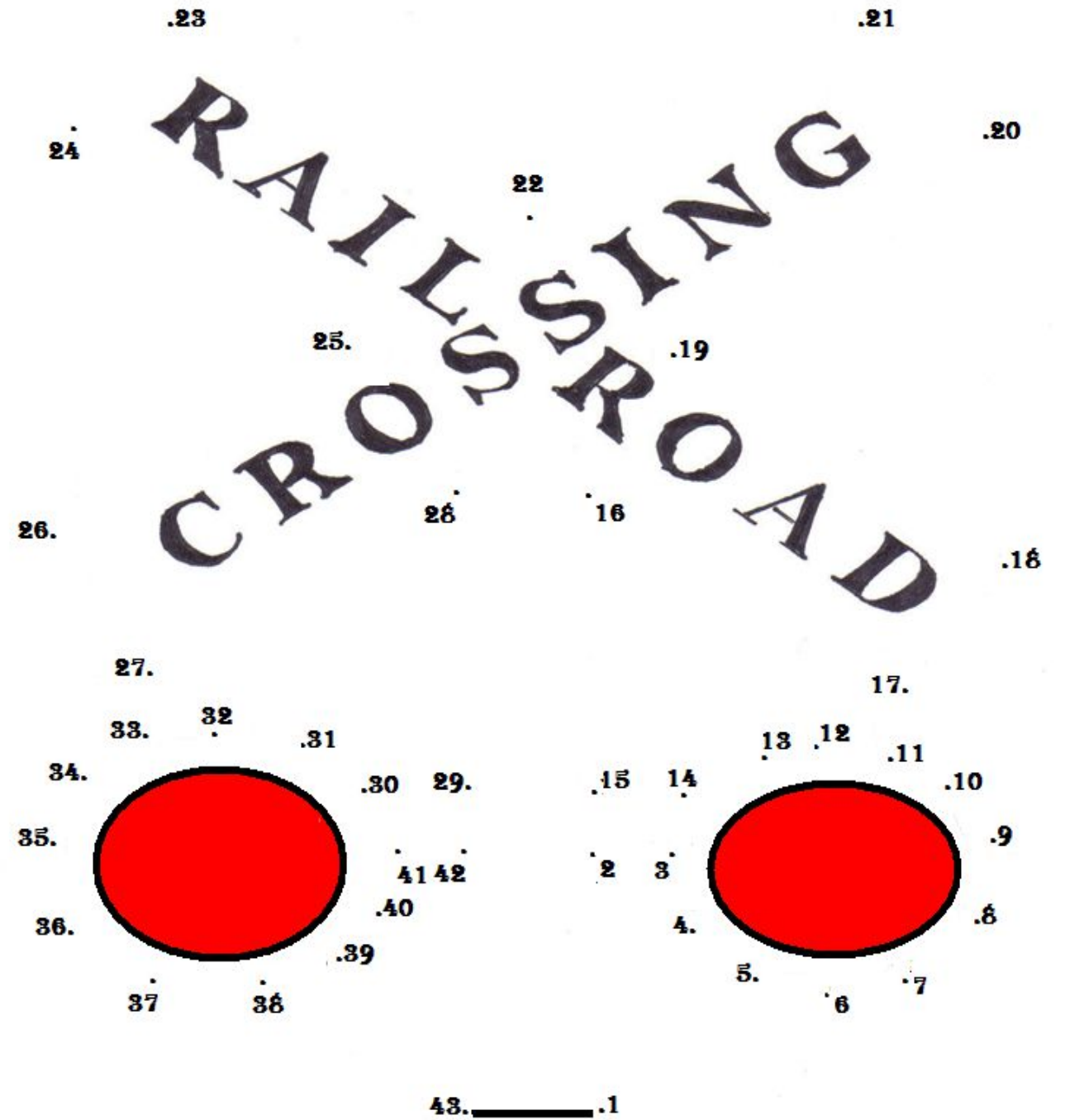
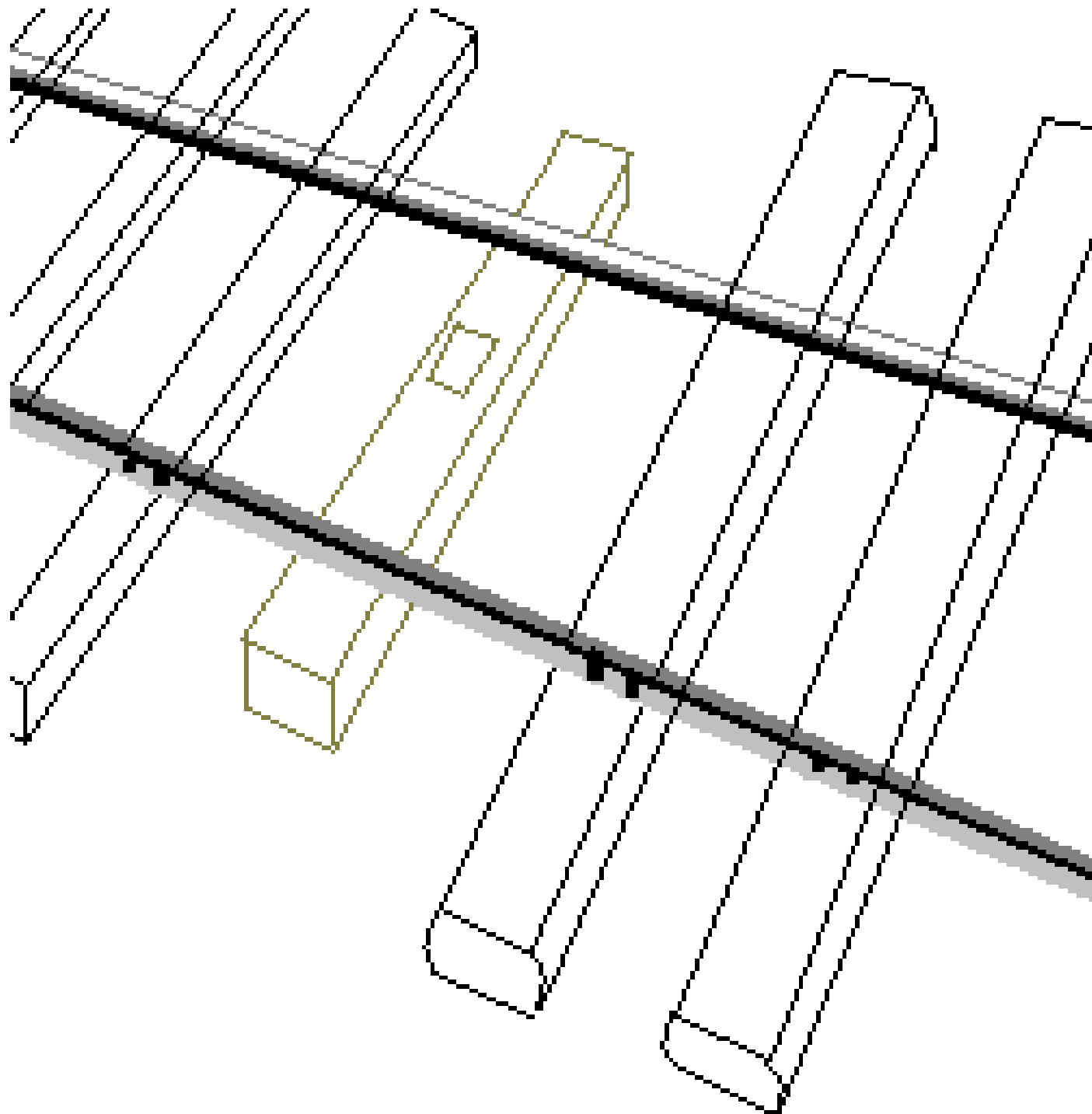
WIFE: *"What makes you say that, dear?"*

MAN: *"Because it left its TRACKS behind!"*

Color Your Own

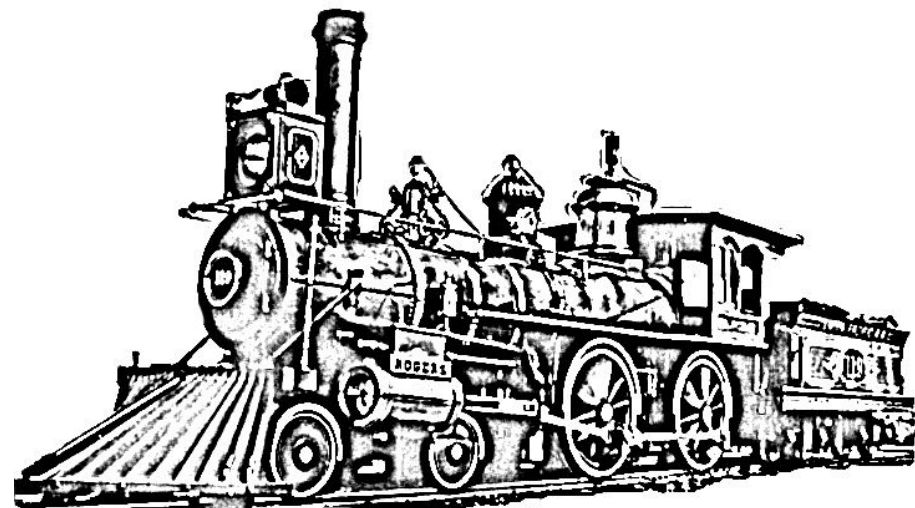
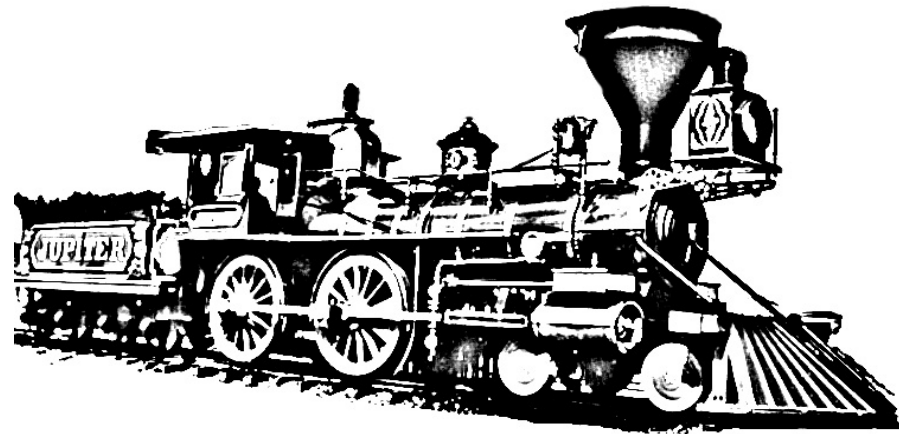
□Last Spike Site□

Color the tie that was used at the last spike site. It was a beautiful polished laurelwood tie that had four pre-drilled holes in it for the four special spikes. We have an exhibit in the visitor center that shows what it looked like in 1869. Let's see how yours looks!

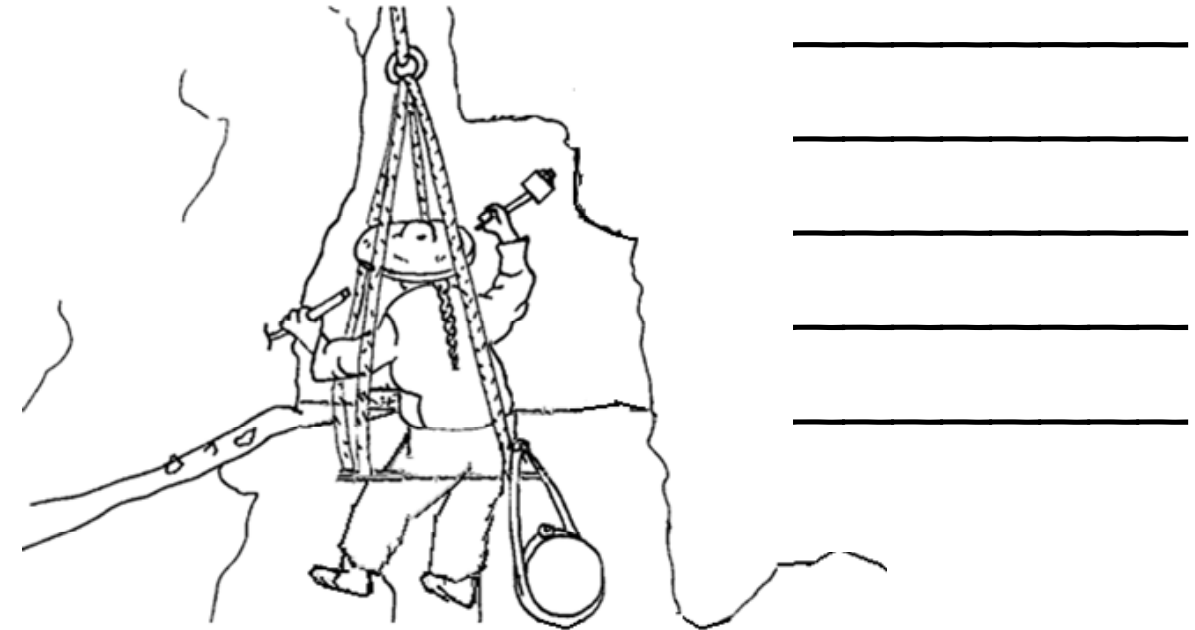


Railroad Crossing Signs. Watch for railroad crossing signs like this one near railroad tracks. If you see this sign, stop, look & listen for a train approaching before crossing the tracks. Outside at Golden Spike you and your family drove across some railroad tracks. Did you have to stop at a railroad crossing to wait for a train to pass on your way here? Today's trains can go over 50 miles an hour and it's hard for them to stop quickly so don't try to cross in front of a moving train.

IT'S A SCAVENGER HUNT! All of these things are here in our park somewhere. After you find each of them, draw a **circle** on the ranger, a **rectangle** around the Jupiter, a **diamond** on the No. 119, and a **triangle** around the obelisk.



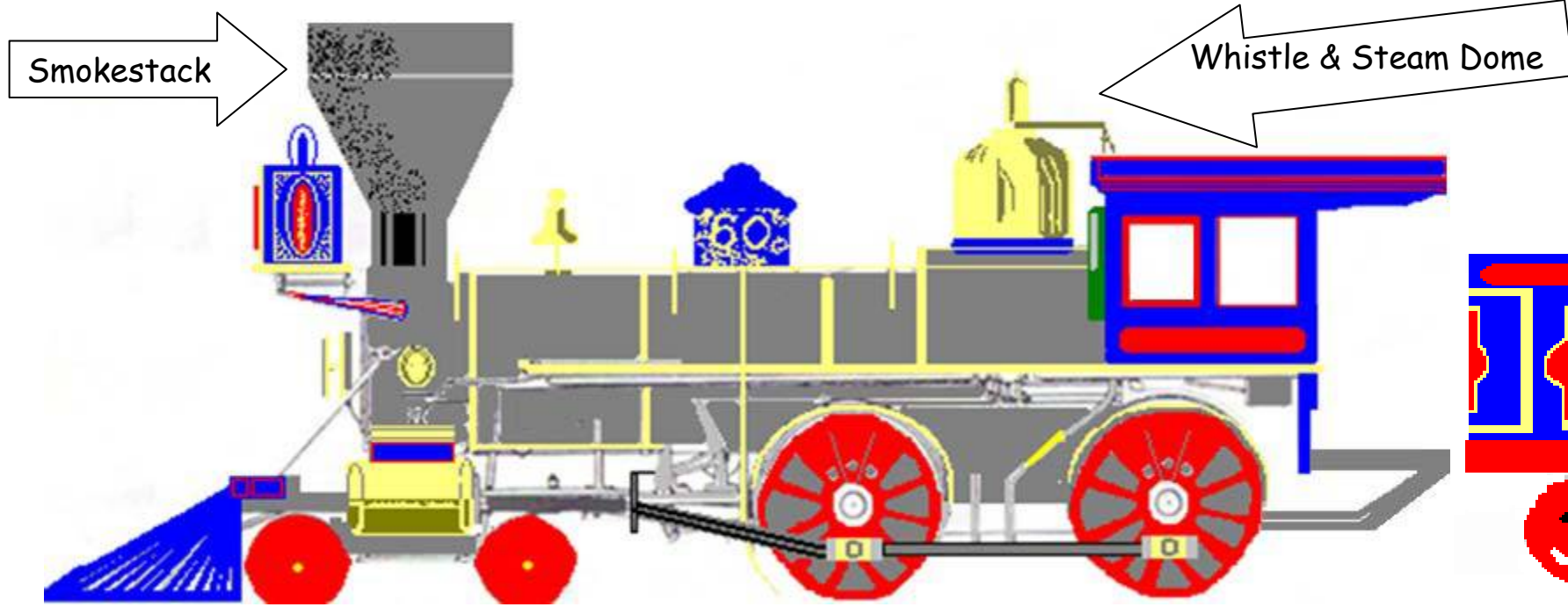
Most people thought the Chinese were too small to work on the railroad, but they were tough. They cut right through the Sierra Nevada Mountains which are solid rock. When the railroad reached Promontory the Central Pacific had 10,000 Chinese working for them. Don't you think they must have been strong in spite of their small size? You are small, too. What kinds of things can you do that prove how strong you are?



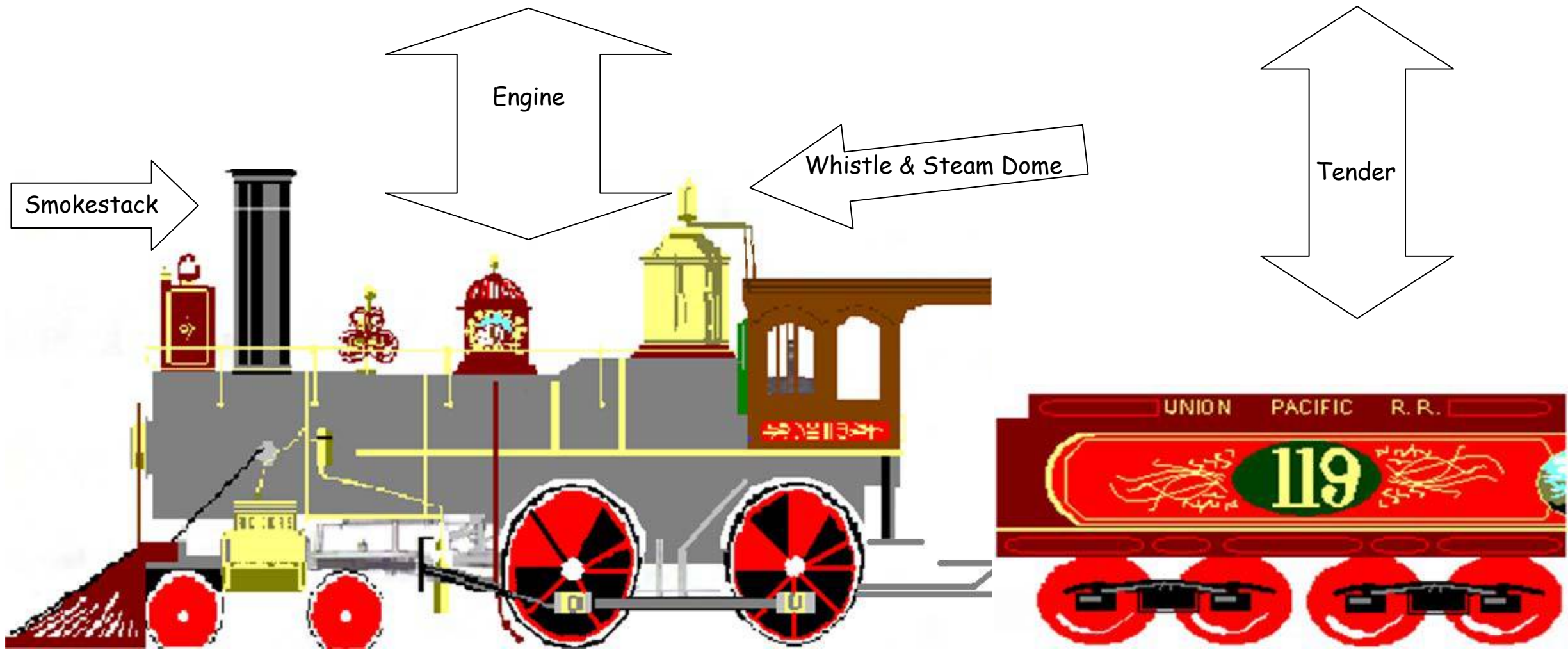
The workers for the Union Pacific were mainly Irish immigrants who had to face Indian attacks while building west from Omaha. The Indians attacked without warning! These workers were paid only about one dollar a day and sometimes a day could be as long as 14 hours! Could you do that? They used picks and shovels; they worked with mule teams, and they laid track.



Look at the locomotive pictures. List three differences between them.



- 1) _____
- 2) _____
- 3) _____



Do you know that a locomotive cannot run without its tender? The tender holds the fuel and water!

Do you know what fuel each locomotive used? Draw the wood or coal in the tender of each.