

# Pea Ridge

National Military Park  
Arkansas



National Park Service  
U.S. Department of the Interior



*JR Ranger Activity Book—Ages 4-9*



## *Pea Ridge National Military Park Junior Ranger Program*

Pea Ridge National Military Park was set aside as a national park in honor and remembrance of the most important Civil War battle fought west of the Mississippi River. Fought March 7 and 8, 1862, the Battle of Pea Ridge saved the state of Missouri for the Union (the North). Over 23,000 men from Texas, Arkansas, Missouri, Iowa, Illinois, Ohio and the Indian Territory fought on this land.

As you go through the Visitor Center Museum and drive/hike the battlefield, complete the following activities in order to receive a Pea Ridge National Military Park Junior Ranger badge.

Please remember that this area has been set aside to honor those men who fought and died here, so be respectful of the battlefield, as well as other visitors. The battlefield is not a playground, so please do not climb the fences, up trees or on the cannons. Remember, to pick up all trash and to take out of the park everything that you brought in. Drink plenty of water and stay with an adult at all times.

Ask a ranger if you have any questions!

# Museum

Answers to these questions can be found in the Visitor Center museum.

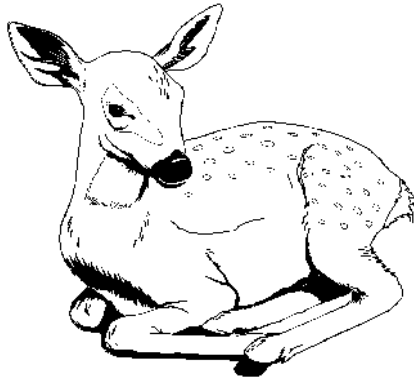
1. What color uniform did Confederate (Rebel) soldiers wear?
2. What color uniform did Union (Yankee) soldiers wear?
3. In what month was the Battle of Pea Ridge fought?
4. Who was the leader of the Union army here at Pea Ridge?
5. Who was the leader of the Confederate army here at Pea Ridge?
6. Who was the United States president during the war?
7. Who was the Confederate States president during the war?
8. Who won the battle of Pea Ridge?



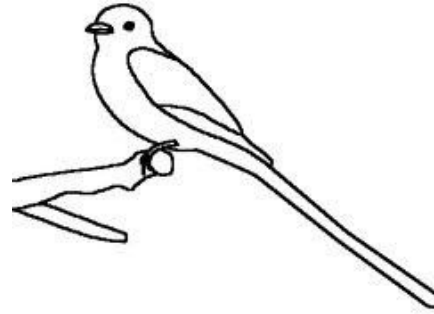
# Battlefield Tour Scavenger Hunt

As you take the tour of the battlefield, put an X by all the things you see!

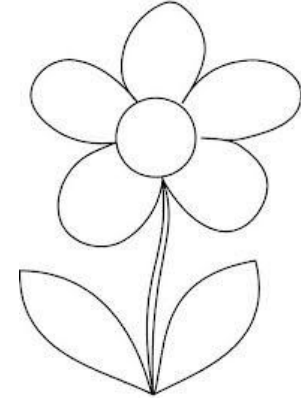
1. \_\_\_\_\_



2. \_\_\_\_\_



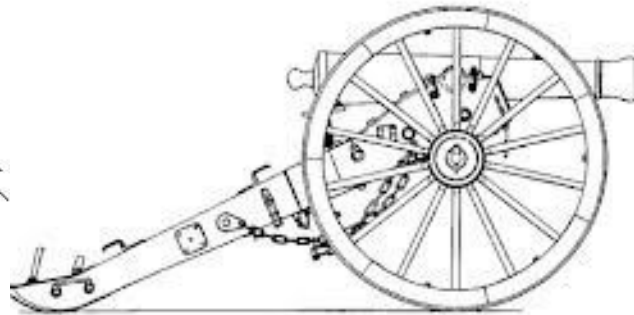
3. \_\_\_\_\_



4. \_\_\_\_\_



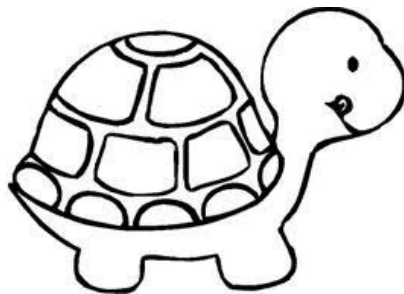
5. \_\_\_\_\_



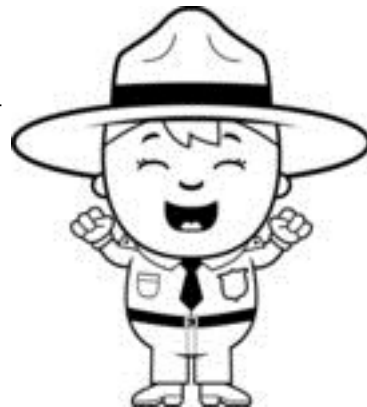
6. \_\_\_\_\_



7. \_\_\_\_\_



8. \_\_\_\_\_

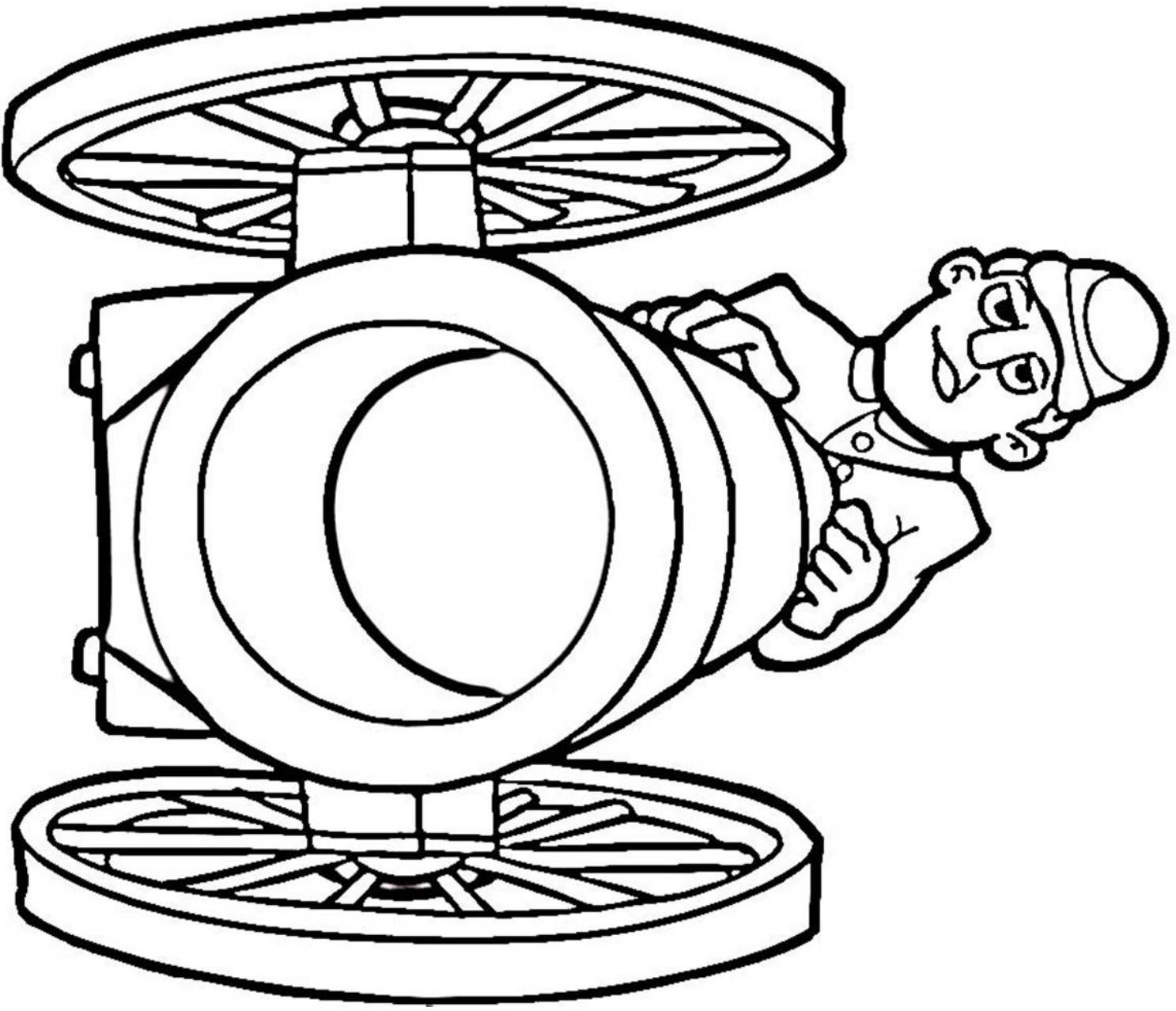


9. \_\_\_\_\_



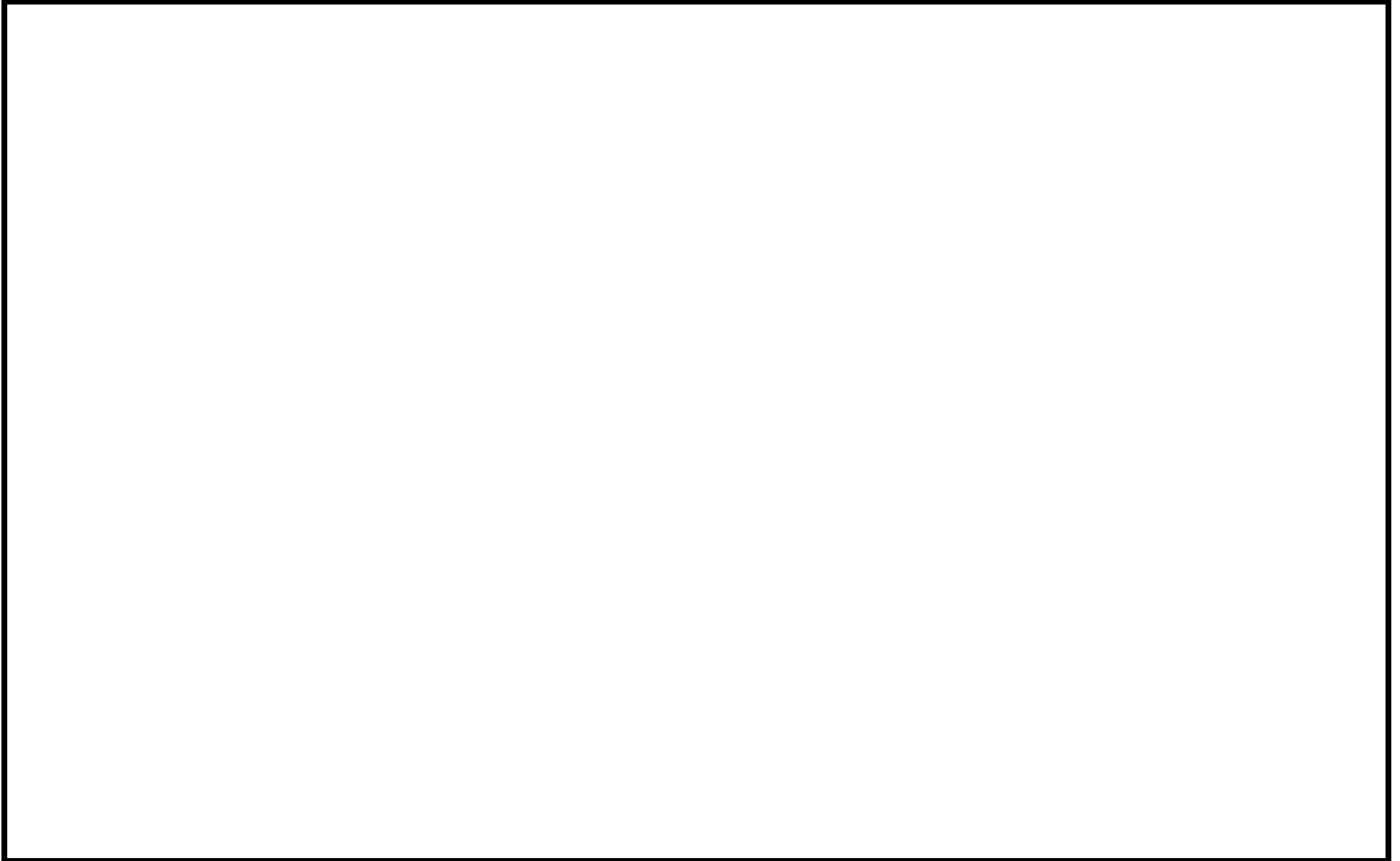
# *Cannoneers Posti*

Color the cannoneer.



# *Battlefield Tour*

As you explore the Pea Ridge battlefield, draw some of the cannons, animals, trees, flowers and places you see!



# Pea Ridge National Military Park

## Junior Ranger

As a Junior Ranger, I

---

promise to leave all plants, animals and historical objects in the parks where I find them. I promise to learn more about American history and our National Parks. I promise to support and protect America's battlefields.

---

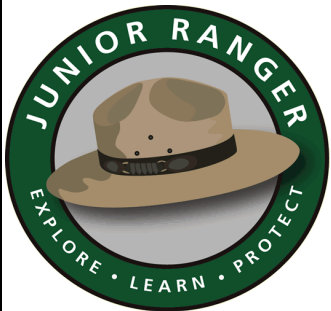
Junior Ranger

---

Ranger

---

Date



*Thank you for visiting  
Pea Ridge National Military Park*

